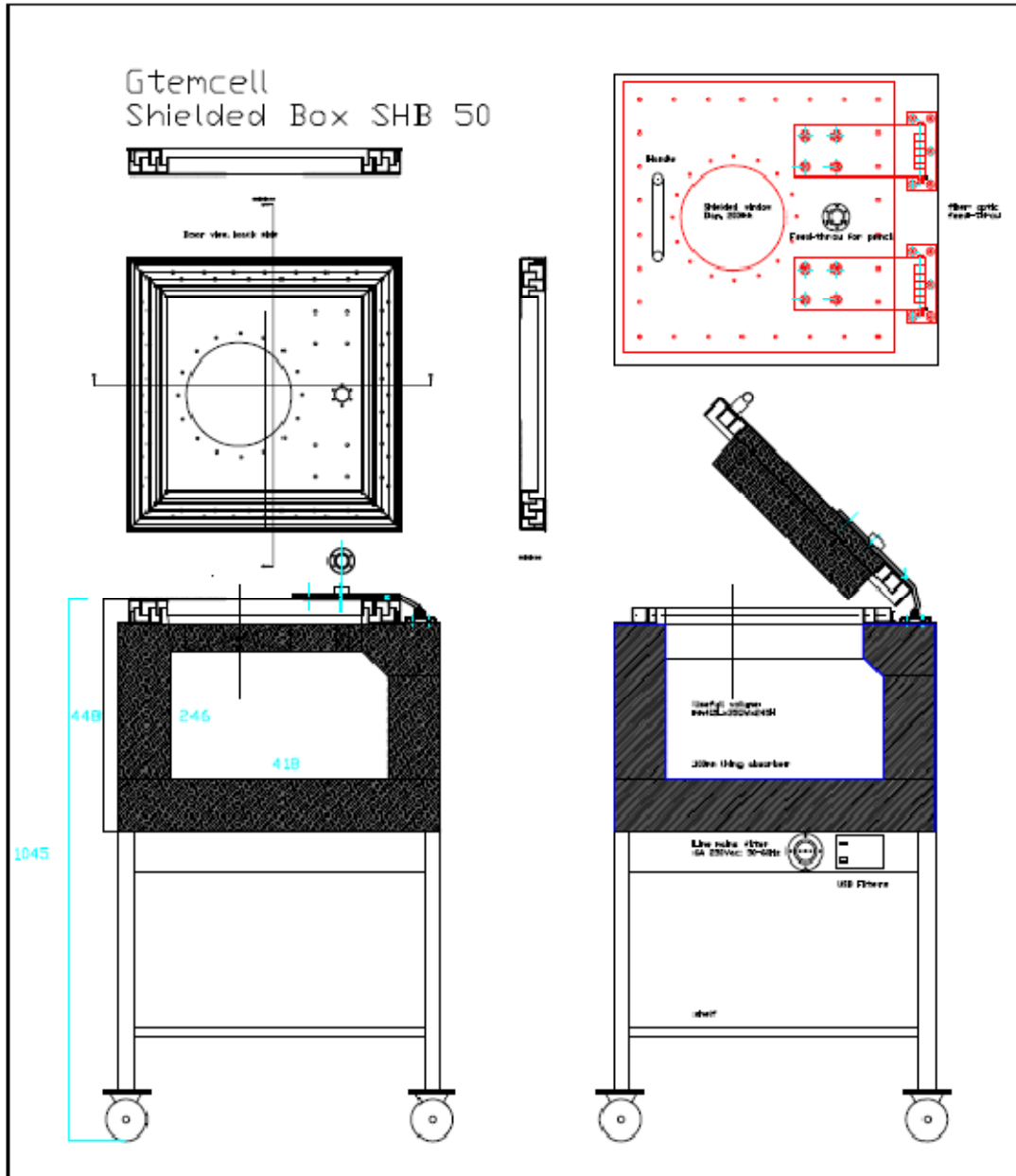


**SHB-50 Shielded Box**



**Description**

GTEMCELL EMCTEST's model EMC SHB-50 is an ideal solution when space is a limitation, it can be used for pre-compliance electromagnetic compatibility measurements, as well as telecommunications and biomedical applications. The EMC SHB 50 is built on a moveable cart trolley. The box can be equipped with antennas for measurements over: wireless, mobile handset device measurements may be used for prototyping, pre-certification testing, performance measurements and production sampling with a good correlation to measurements made in larger fully compliant chambers

### Key Features

- Ruggedized fully hot galvanized steel construction (INOX steel optional)
- Door with 3 rows of gaskets and 200mm. Diam. shielded window.
- Room with 10cm. lining absorber, useful internal volume: 415x250x350mm
- Unique compact design: Optimized for EMI and EMC.
- Broadband up to 18Ghz. High effective shielding
- 2 poles + ground 230Vac 50Hz 6A EMI standard line filter, SCHUCO inlet.
- Excellent quality at Low cost

### Applications

- Total radiated Power (TRP)
- Effective Isotropic Radiated Power (EIRP)
- Total Isotropic sensitivity (TIS)
- Effective Isotropic Sensitivity (EIS)
- Test ambient for Microwave in the frequency range 700MHz-20GHz
- Radiation and susceptibility test \* (options required).
- Biomedical and dosimetical applications
- Isotropic sensors calibration
- Receiver sensitivity test
- Shielding effectiveness characterization test

### Specifications

Shielding	better than 60dB up to 100dB
Absorbers	100 mm anechoic foam
Outer cell dimension	(L)62x(W)57x(H)104,5cm (trolley included)
Weight	About 80 Kgs.
Door Size clearance	40 x 40 cm,
Shielded inspection window	Diam.200 polycarbonate glass
Construction	Fully Hot galvanized steel 10/10 and 20/10 thickness

### Options \*

	Log Antenna	frequency range: 800MHz- 18GHz
	Log Antenna	2-12GHz (20W max power)
	Patch antenna	2,4-2,5GHz
	Patch antenna	5-6GHz
	Field strenght Isotropic sensor measure	100KHz-9GHz
	Polarization	Vertical / Horizontal switchable
	feed-thru fibre optic penetration	3 or 6 couples.
	Revestment	TDK 6mm. ferrite tiles
	I/O filters	DB-9, DB-25, and customized
*	I/O filters	USB,

### Customized with:

#### N.2 USB filter

N.1 Waveguide 20mm. Diam. rigid or flexible guide in metal Cu-Cr-Ni tissue.