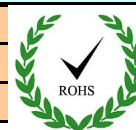


# Medium power BeO ceramic resistors

## Spec's Sheet & Drawing



**Type :Flange Termination**

**Part No.:**RFRXXX-200TBDT      **XXX=**from 50 to 800

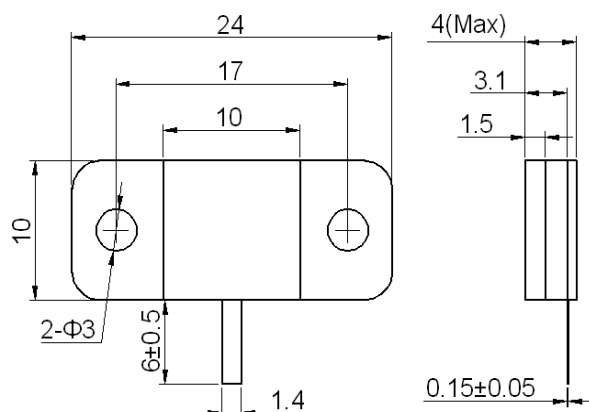
**ELECTRICAL SPECIFICATION**

Normal Impedance:	from 50 to 800 ohm
Tolerance of impedance	+/-5%
Average Power	200W
VSWR(max):	
Operating Frequency:	
Length of the lead	
Other spec's	BeO

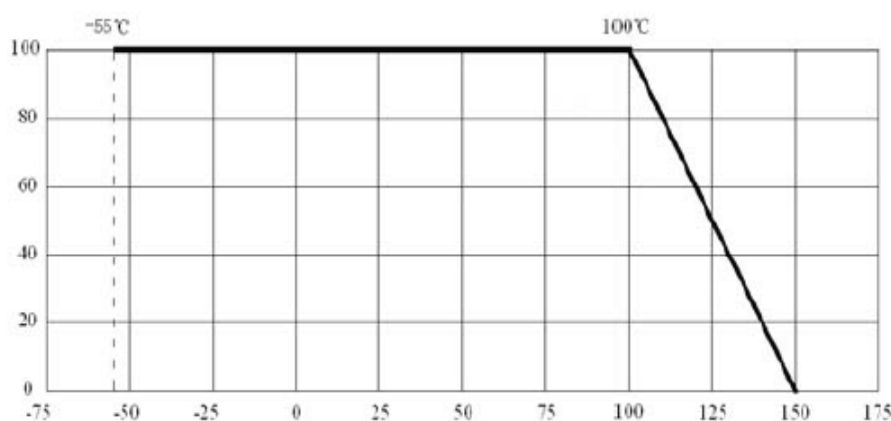
**ENVIRONMENTAL SPECIFICATIONS**

Operating Temperature Range	-55~+150°C
Temperature Coefficient	+/-150ppm/°C

**OUTLINE DRWAING(unit:mm;tol.:+/-0.2mm)**



**Power Derating against the temp.raising of the heatsink**



Date:June 09th.2015