

# Low power BeO resistors

## Spec's Sheet & Drawing



**Type :Flange Termination**

**Part No.:RFRXXX-100TBAH**

**XXX= from 50 to 800**

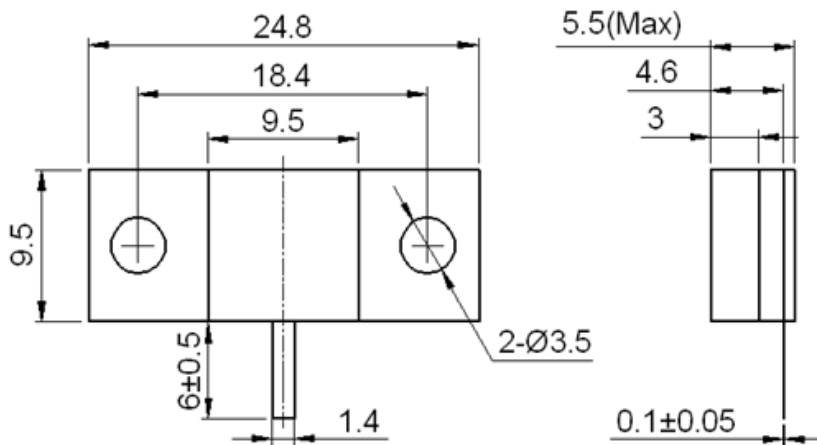
**ELECTRICAL SPECIFICATION**

Normal Impedance:	from 50 to 800 ohm
Tolerance of impedance	+/-5%
Average Power	100W
VSWR(max):	
Operating Frequency:	
Length of the lead	
Other spec's	

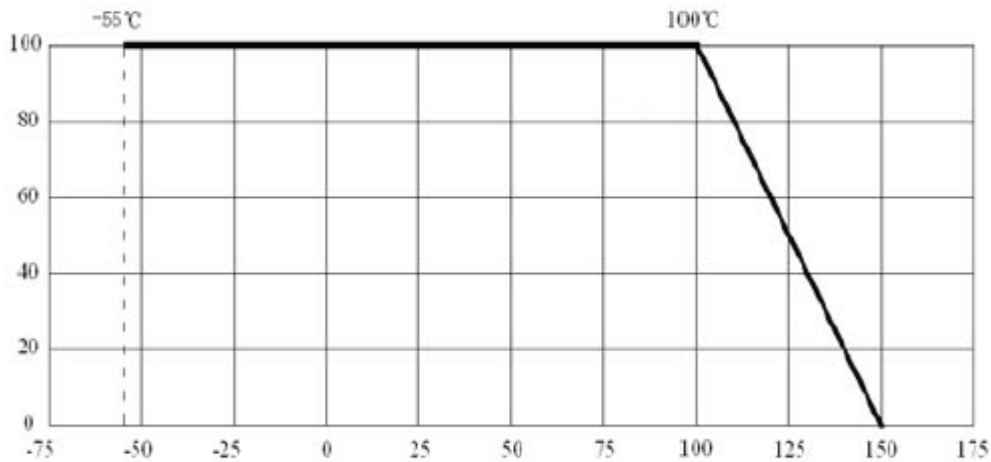
**ENVIRONMENTAL SPECIFICATIONS**

Operating Temperature Range	-55~+150°C
Temperature Coefficient	+/-150ppm/°C

**OUTLINE DRWAING(unit:mm;tol.:+/-0.2mm)**



**Power Derating against the temp.raising of the heatsink**



Date:Mar 30th.2015