

STPL-30 STRIPLINE ANTENNA

OVERVIEW

The SPTL-30 Stripline is designed to produce high electric fields over the DC to 30MHz bandwidth. We made an EMC measurements device in order to test the immunity of automotive and aircraft equipment to radiated electromagnetic fields according to the automotive and aircraft standards

FEATURES

- Excellent TEM mode behavior
- Extended use for multi-mode testing.
- Good longitudinal uniformity

APPLICATIONS

- Aerospace Civil and Military testing
- Automotive and industrial testing.
- EMC testing

ELECTRICAL SPECIFICATIONS

Frequency Range:	DC -30MHz
VSWR:	<2,0:1 average; 14:1 worst case
Polarization:	Linear, Vertical
Power Handling:	9KW (*optional: 30KW model) Air cooled
Feedpoint Impedance:	50 Ohm (*optional: 75 Ohm, 150 Ohm)
Portability:	The stripline sections are easily disassembled with reduced occupied space

MECHANICAL SPECIFICATIONS

Size:	L 8,5 m x W 2,5 m x H 2,1 m (Height is adjustable up to 2,5 m)
Weigth:	220 Kg
Construction:	Aluminium and Fiberglass
RF Connectors:	EIA 7/8" flange (*optional: EIA 1-5/8", EIA 3-1/8" models) Hi power type.

Ordering Information

To place an order or to learn more about the GTEMCELL products contact our USA sales representative:

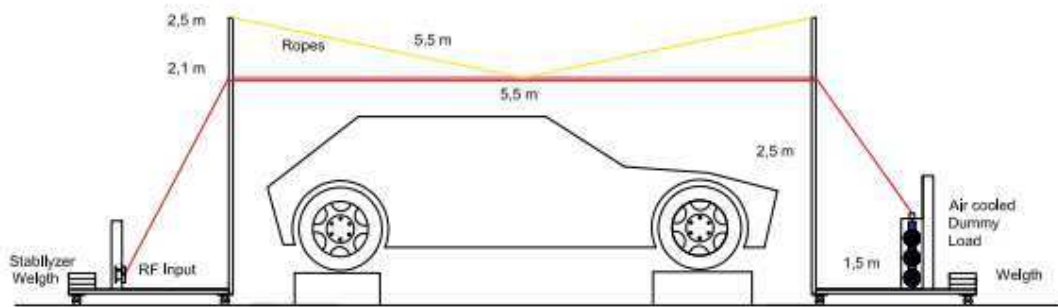


www.GtemCell.com
ITALIA

GTEMCELL Ltd – 3A UL. Triaditsa – 1000 SOFIA – Bulgaria

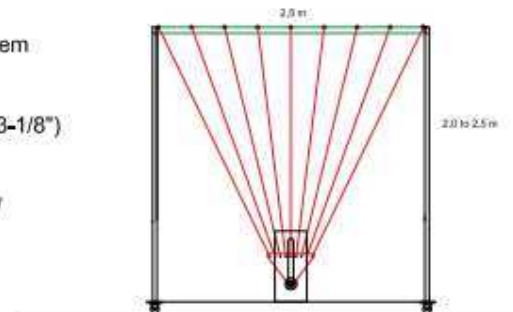
gtem.cell@gmail.com www.gtemcell.com

STPL-30 STRIPLINE ANTENNA



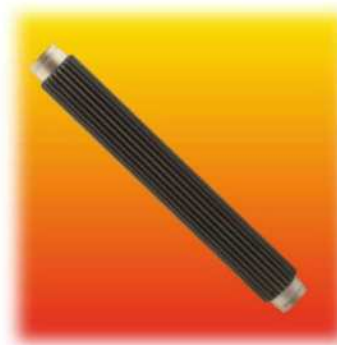
Features:

- Adjustable Height from 2m to 2,5m with sliding system
- Air cooled Dummy load 9KW
- Trolley with swivel wheels with brakes
- Input connectors: EIA 7/8" (*option: EIA 1-5/8", EIA 3-1/8")
- Tilt adjustment of the septum
- Carborundum High power resistors
- Switchable loads: 150R 3KW, 75R 6KW, 50R 9KW
- Easy to assembly and store when unused
- Customized dimension and load available



Resistors parameters:

- Impedance Ohm: $150 \pm 10\%$.
- Handling Power: 3 kW ea.
- No. of resistors: 3 for Max. 9KW on 50 Ohm
- Working frequency: from DC to 250 MHz.
- Operating temperature: (- 60 to +70) °C.
- Flux of cooling air at 1 kW dissipated power > 150 m³/h.
- Dimensions: L450 mm x D60 mm
- Weight: The mass of 2,3 kg ea.



www.GtemCell.com
ITALIA

GTEMCELL Ltd – 3A UL. Triaditsa – 1000 SOFIA – Bulgaria

gtem.cell@gmail.com www.gtemcell.com