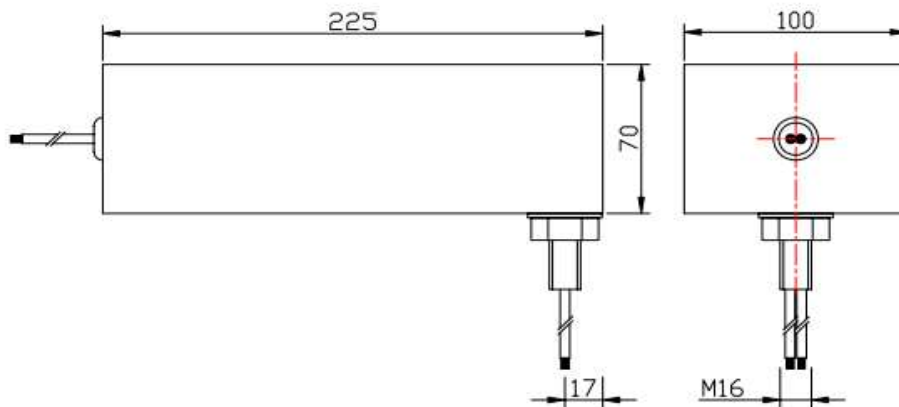


PART NUMBER: 99.0795 FILTRO TELEFONO/ DATI RJ45 (data rate: 10 M/S)

Signal Line EMI Filter

1. Type: SF-T2 (2 wires), SF-T4 (4 wires), SF-V8 (8 wires)
2. Dimensions: (mm)

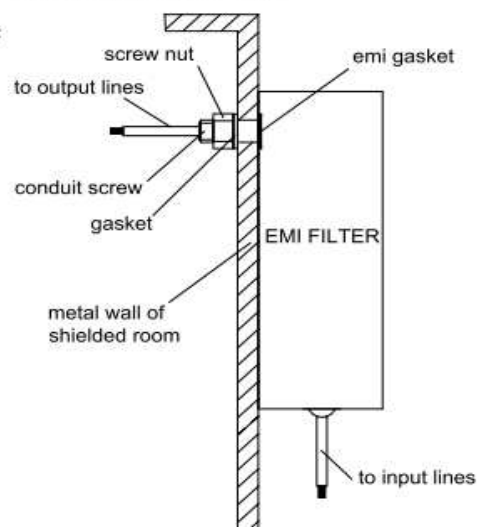


3. Technical Data:

- ① Rated Voltage: 250VDC
- ② Passband: 0-20KHz (0-7KHz for model SF-V8)
- ③ Rated Current: 0.3A - 1A
- ④ Insertion Loss: 100dB, 100KHz-40GHz
- ⑤ Climatic Category: 25/085/21

- ### 4. Accessory Parts:
- ① M16 Conduit Screw: 1pc
 - ② Gasket 16: 1pc
 - ③ M16 Screw Nut: 1pc
 - ④ EMI Gasket: 1pc
 - ⑤ Certificate: 1pc

5. Installation Sketch:





EMI FILTER

SF-V8

RATED VOLTAGE 250VAC

RATED CURRENT 1A

PASS BAND 0.2MHz

www.GtamCell.com

